

## sensorProbe - Wireless Tunnel™ (SP-WT)

### Connect up to 4 AKCP Intelligent Sensors

sensorProbe Wireless Tunnel™ allows you to connect up to 4 AKCP Intelligent sensors to a single radio. Communicate sensors over long distance with LoRa™ based wireless communications. AKCP's proprietary Wireless Tunnel™ protocol provides guaranteed message delivery without loss of data and low power utilization for superior battery life.

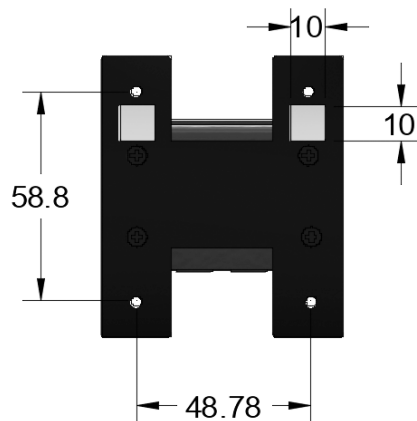
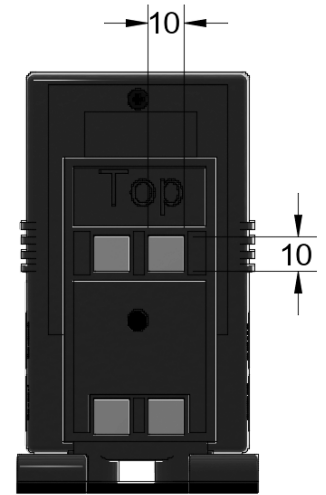
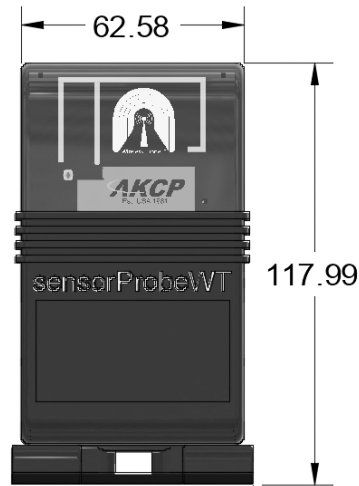
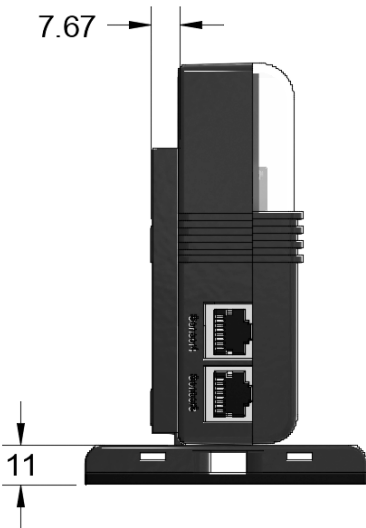
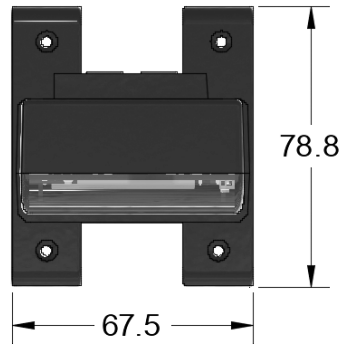
Build your own private LoRa based network without the need for any cloud services. Data is transmitted to the sensorProbe Wireless Tunnel Server (SP-WTS). Multiple SP-WTS can be monitored centrally with AKCPro Server, which can run locally or on a cloud service.



## SP-WT - Technical Specification

|                                      |   |
|--------------------------------------|---|
| <b>Status Indication</b>             | LED indication for power<br>LED for Radio connectivity<br>LED for Status  |
| <b>Components</b>                    | Manufactured using highly integrated, low power surface mount technology to ensure long term reliability.   |
| <b>Operating Environment</b>         | Temperature : Min. -15° C – Max.50° C<br>Humidity: Min. 20% – Max. 80% (Non-Condensing)   |
| <b>MTBF</b>                          | 1,400,000 Hours based on field experience with sensorProbe units.   |
| <b>Connectivity</b>                  | Wireless Tunnel™ connection to sensorProbe-Wireless Tunnel Server (SP-WTS)  |
| <b>Inputs</b>                        | 1x USB for external 5VDC power<br>1x 5VDC Terminal for external power or external battery pack<br>4x intelligent sensor ports for connecting AKCP wired sensors<br>3x intelligent sensor ports and 1x 4-20mA input*<br>3x intelligent sensor ports and 1x Modbus input*   |
| <b>LoRa (R) Radio Regional plans</b> | - EU868 : 863~868Mhz<br>Max TX Power +14dBm<br>Duty Cycle 1%<br><br>- US915: 903~915Mhz<br>Max TX Power +20dBm<br><br>- AS923 : 920~925Mhz<br>Max TX Power +14dBm<br>Duty Cycle 1%<br><br>- KR920 (Korea) : 922~923Mhz<br>Max TX Power +14dBm<br>Duty Cycle 1%<br><br>- IL917 (Israel) : 915~917Mhz<br>Max TX Power +14dBm<br>Duty Cycle 1% |
| <b>Certification</b>                 | FCC Part 15C, CE EN300220-2   |
| <b>Power</b>                         | External 5.5V 3A Power Adapter<br>AKCP External Battery Pack with 6x AAA batteries (non rechargeable)*<br>3x AAA Batteries (non-rechargeable)   |
| <b>Dimension</b>                     | 111 (W) x 62 (H) x 87 (D)   |
| <b>Mounting</b>                      | Desktop, wall mount, DIN rail, Magnetic   |
|                                      |   |
| * Optional feature on custom units   |   |

## SP-WT - Technical Drawing



**SP-WT-EXTBAT - Technical Drawing**

