

Temperature Sensors (TMP00-NIST3 / TMP01-NIST3)



Calibration Check with Fail-over

3 NIST certified, calibrated temperature sensors are compared once a second for accuracy, with backup if pair is out of calibration (NIST3).

The NIST3 sensors feature a built in calibration check. 3 NIST calibrated sensors working in 3 pairs. The primary sensor value is checked by the secondary sensor, and if we detect a range of greater than the stated accuracy we will alert that the sensor is out of calibration. The sensor will then automatically fail-over and continue monitoring with a seamless graph of data.

Suitable for situations where a high accuracy, calibrated sensors are needed, with backup for critical monitoring applications.



TMP00-NIST3

Just like the TMP00, this sensor can be extended up to 50m (165ft) using standard CAT5 cable.



TMP01-NIST3

Fixed length sensor with 1ft cable

Temperature Sensors (TMPWxx-xxmm)



TMPWxx

Waterproof temperature sensor* with extended metal tube. Available in a variety of cable lengths and in either the standard tube or a choice of two additional tube lengths, either 50mm or 100mm. Custom lengths can be ordered with code TMPWxx / TMPWxx-50mm / TMPWxx-100mm where xx is replaced by the cable length in feet.



TMPW15-100mm



TMPW15-50mm

*Water proof up to length of metal tube

TMP00-NIST2 / NIST3 / TMPWxx - Technical Specifications

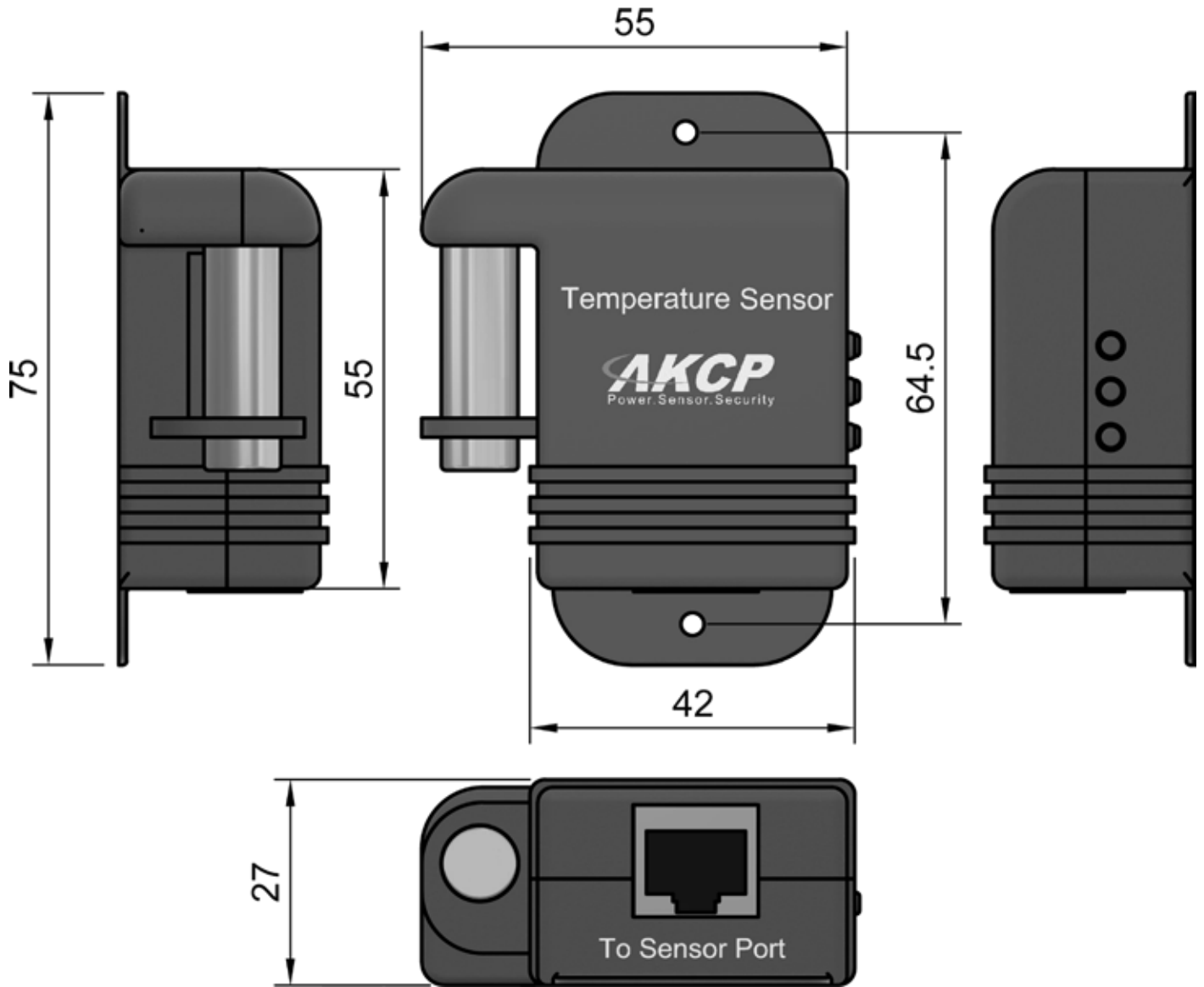


Temperature	
Measurement Range	-55°C to +75°C -67°F to +167°F
Measurement Resolution	securityProbe and sensorProbe+ series 0.1°C increments 0.2°F increments sensorProbe series 1°C increments 1°F increments
Measurement Accuracy	sensorProbe+ series and securityProbe series ±0.2°C accuracy from -10°C to +75°C ±0.5°F accuracy from +14°F to +167°F sensorProbe series ±1°C accuracy from -10°C to +75°C ±1°F accuracy from +14°F to +167°F
Calibration	NIST traceable Calibration Certificate (TMPxx-NIST2 / 4) Built in calibration check, alerts when sensor needs re-calibration NIST4 with calibration check and failover
Interface	
Communications cable	RJ-45 jack to sensor using UTP CAT5e/6 cable
Power source	Powered by the base units. No additional power needed
Power Consumption	Typical 7.25mWatt, 1.45mA
Maximum Cable Length	TMP00 - SPX+ 1000 feet (300 meters) with low capacitance shielded UTP cable TMP00 - SP2+ / SP1+ 600ft (180 meters) with low capacitance shielded UTP cable TMP01 - 600ft (180 meters)
Sensor type	Semiconductor, microprocessor controlled
Dimensions	56 x 55 x 33.3 mm
Mounting	DIN rail mounting Screw mounting
Sensor count (TMPxx)	1
Sensor count (TMPxx-NIST2 / 4)	3
Important Note	The fixed one foot type or TMP01 are not designed to be extended. If you need to extend these sensors then you need to use the TMP00 (remote type). We also do not recommend you trying to connect any of our AKCP sensors including the temperature and dual temp humidity sensors though patch panels or using the RJ-45 couplers to extend them. Please see the temperature sensors product manual or FAQ in our knowledge base for more details regarding this.
Compatibility	TMPxx-NIST2 and NIST4 compatible with sensorProbe+ series only

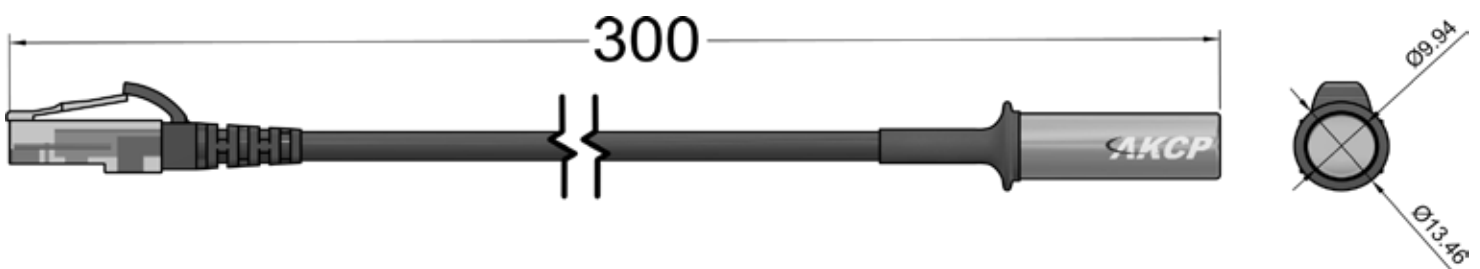
TMP00 / TMP01-NIST2 / NIST3 - Technical Drawing



TMP00 - Extendable Temperature Sensor



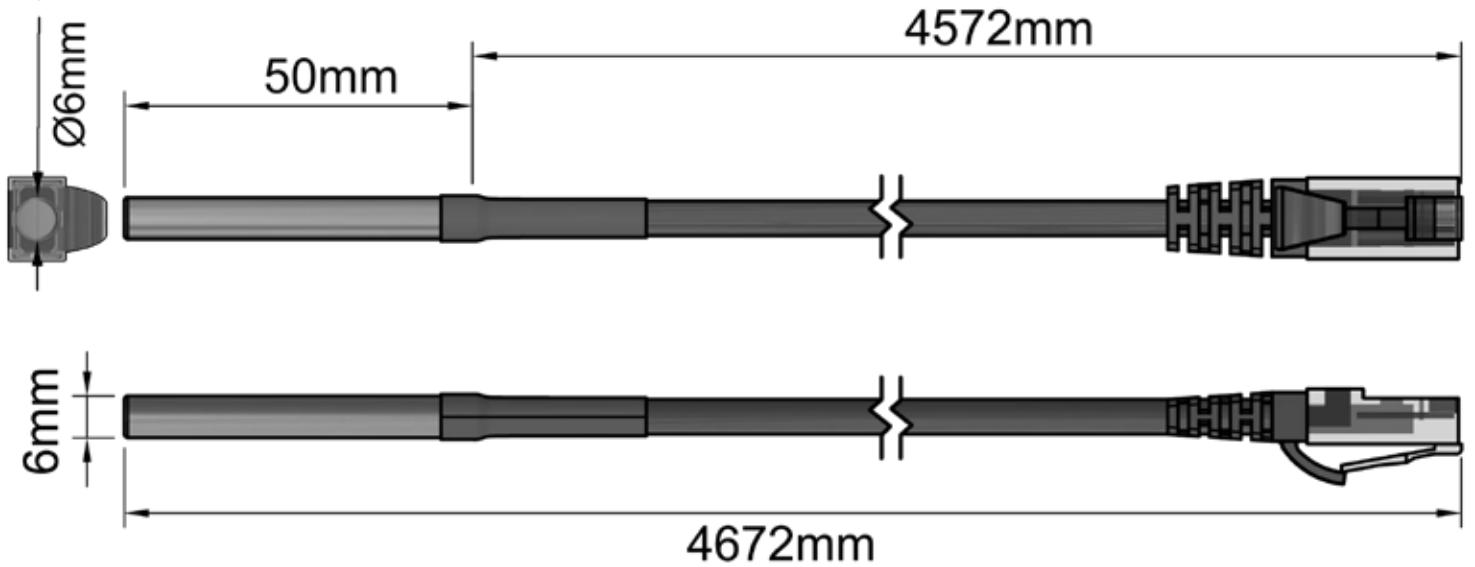
TMP01 - 1ft Temperature Sensor



TMPW15 - Technical Drawing



TMPW15-50mm- Waterproof Temperature Sensor with 50mm tube



TMPW15-100mm- Waterproof Temperature Sensor with 100mm tube

